

Thank you for purchasing a Nissin product

Nissin Power Pack PS-300 is an external power booster for an electronic flash. By using this Power Pack PS-300 together with the regular power source in the flash body, the recycle time to charge up is reduced to 1/4 compare to that with the regular power source only. Furthermore, the maximum number of flashes is increased significantly.

Two power supply sockets are provided so that two flashes can be used together at the same time.

Before using the Power Pack PS-300, please read this operation manual and refer your flash owner's manual carefully to get a better understanding of proper operation to enjoy flash photography.

Nissin supplies two kinds of power supply cable according to the design of its plug to be connected to the external power source service socket provided by respective flash models. Please pay attention to the following combination chart.

Cable with plug C for Canon type flash unit:

Nissin Di866 Canon
Canon 580EXII, 580EX, 550EX, MR-14EX and MT-24EX

Cable with plug N for Nikon type flash unit:

Nissin Di866 Nikon
Nikon SB900, SB800, SB80DX, SB28DX

With your Power Pack PS-300 you have received one cable of the desired kind of your flash unit. If you need another one or two cables of the other kind, you can purchase them from your dealer separately.

SAFETY INSTRUCTION

This safety instruction refers important information to use the product safely and properly. Please read the following instructions before using the product.

WARNING

This sign refers the danger or serious damage.

- This power pack contains high voltage electric parts. Do not try to open or rework the power pack. Keep the power pack away from small children.
- Do not touch inside parts from opening when the unit was broken, e.g. by downfall. Return it back to the repair service station or the store where you bought it.
- Do not use the power pack nearby flammable gas, chemicals or such liquids. It may cause fire or electric shock.
- Do not touch the power pack with wet hands. The power pack carries high voltage inside and it may cause an electric shock.
- Plug the battery firmly to the charger's sockets. Plugging the battery loose may cause exothermic heat.

CAUTIONS

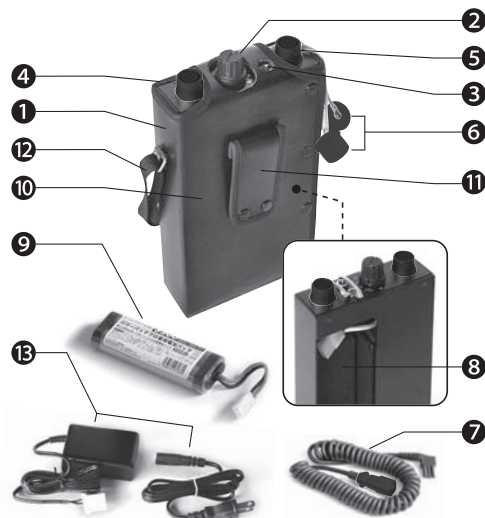
This sign refers to a damage or defect.

- Do not leave or store the power pack at temperature over 40°C, such like in an automobile.
- The power pack is not water resistant. Keep it away from rain, snow and humidity. Do not use in wet places, such as bathrooms or in the rain.
- Do not use benzene, thinner or other alcoholic agents to clean the body and the leatherette case.
- Use Nissin's original battery only. Do not use other batteries (battery cluster), otherwise it may damage the generator circuitry.
- Since the power source is stronger than the regular battery source in the flash, repeated flash beyond the limit may damage the flash. Some flashes provide a special circuit to protect from overheat problem. Before using this power pack, read the safety instruction of the flash carefully and follow its

Nissin

Nissin Japan Ltd., www.nissin-japan.com
Nissin Marketing Ltd., www.nissindigital.com

Nomenclature



- 1 Power Pack Main Body
- 2 Power Switch
- 3 Power-on Indication Lamp
- 4 Socket 1
- 5 Socket 2
- 6 Socket Cap
- 7 Power Supply Cable
- 8 Battery Compartment
- 9 Battery
- 10 Leatherette Case
- 11 Belt Holder
- 12 Strap
- 13 AC Adapter and Power Cable for AC Adapter

MUST-READ

1. Do not shoot more than 20 continuous full power flashes, which may damage the flash circuit. Interrupt the shooting of flashes for 10 to 15 minutes after such continuous shooting.
2. When using one flash power supply cable only, the open socket is to be capped since it carries a high voltage at its contacts.
3. This power pack is effective only when the flash unit is operational. Do not remove the batteries in the flash unit.
4. For safety reason, the power pack can be switched on only when the flash power supply cable is plugged into the socket on the power pack main body.
5. Using two flashes together requires more energy from the batteries and this may result in a longer recycle time than using one flash.
6. The oscillating circuit is automatically switched off for safety protection when the power pack main body circuit is overheated. The flash is then charged by its own batteries in the flash unit only and the recycle time becomes longer. The oscillation is suspended to cool down the power pack main body circuit for about 4 to 5 minutes and it returns to the normal operation automatically.

CHARGING THE BATTERY

- * Be sure to use Nissin's original battery.
- Connect the power cable for AC adapter to the AC outlet and plug the other end to the AC adapter. (fig.1)
- Connect the AC adapter to the socket of the battery.
- A red lamp on the charger turns on and this indicates that charging has been started. (fig.2)
- The battery will be fully charged in about 4 hours.
- The red lamp turns green when the battery is charged up.
- Disconnect the socket of the battery from the charger. Remove the charger from the outlet when not in use.

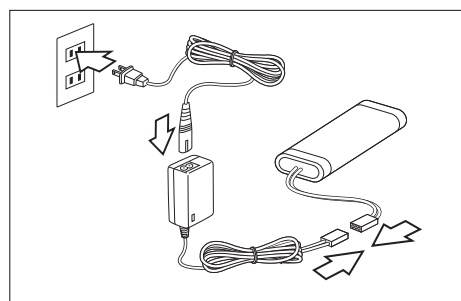


fig.1

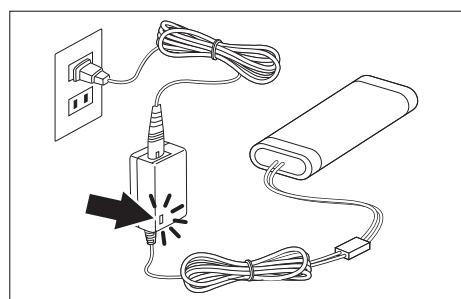


fig.2

CONNECTING THE BATTERY

Make sure to switch off the Power Pack PS-300.

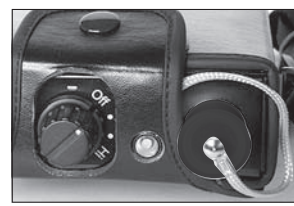


fig.3

Open the flap of the leatherette case and pull out the power pack main body from the case.

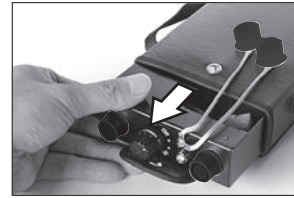


fig.4

Place the battery in the battery compartment and connects its plug to the socket of the power pack main body firmly.

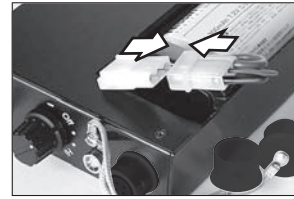


fig.5

Return the power pack main body into the leatherette case and close the flap.

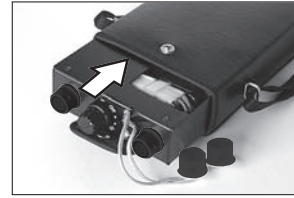


fig.6

CONNECTING THE FLASH POWER SUPPLY CABLE

Make sure to switch off both the Power Pack and the flash unit.

Using one flash unit only

Use the compatible flash power supply cable for your flash. Hold the connector of the flash power supply cable in front of the socket with both guide marks on the connector and on the socket coinciding and insert it to the socket straight. You can plug the connector either to socket 1 or to socket 2.

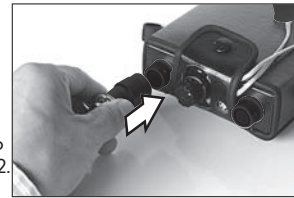


fig.7

Cap the open socket with the socket cap strapped at the socket.

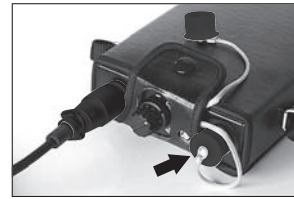


fig.8

Connect the plug at the other end of the power supply cable to the flash unit.



fig.9

Using two flash units simultaneously

You can use two flashes together at the same time.

These two flashes can be either same brand or the different brand mixed, as far as the power supply cable is compatible to those respective flashes. (fig.10)

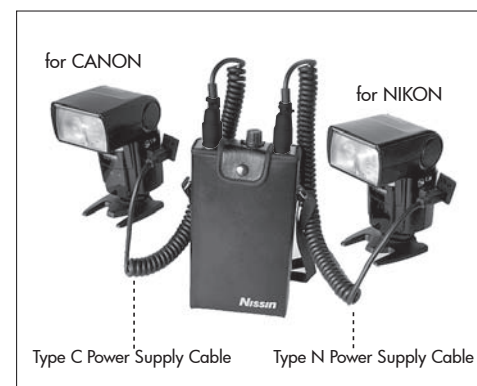


fig.10

For connecting each of both cables, please follow the instruction as given above (fig.7) for one flash unit only. Connect the plug of each flash power supply cable to the corresponding flash unit (fig.9).

DISCONNECTING THE FLASH POWER SUPPLY CABLE

Switch off both the power pack and the flash. Hold the connector of the flash power supply cable as shown and pull it off.

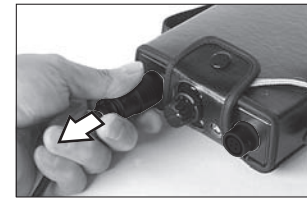


fig.11

POWER ON

* Make sure the batteries are correctly inserted in the flash unit when using with Power Pack. Without battery in the flash, the flash does not work.



fig.12

* The Power Pack PS-300 cannot be switched on if the flash power supply cable is not connected to the Power Pack.

- Connect the flash power supply cable to the Power Pack PS-300 and turn on the power switch.
- An indication lamp lights up green - orange - or red according to the power level set (fig.13).
- For quick recycling or for using two flashes together, the highest power level red (marked "Hi") is recommended. To save the battery energy or to reduce the load of the flash capacitor, either low level green or medium level orange is recommended.

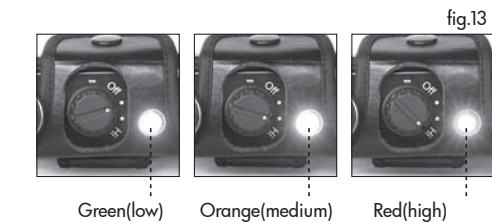


fig.13

- Switch the flash on, and the ready lamp of the flash will light up within a second.
- A power indication lamp on the power pack is linked to the ready lamp of the flash; it goes off while the flash is charging, and it turns on when the flash becomes ready.



fig.14

- Turn the power switch off when not in use. In case that the power switch remains on for long, the battery may be damaged by over-discharge. Replace the battery in such a case by a new one.

SPECIFICATIONS

Power source	NiMH battery - 7.2V/3,300mAh
Battery life	200 times of charge/discharge
Charging time of battery	4 hours, approx.
Outlet	2 x DC 315V
Flash Power supply cable (options)	Type C or Type N Type C for Nissin Di866 model (Canon version) or Canon's original flash with external power socket. Type N for Nissin Di866 model (Nikon version) or Nikon's original flash with external power socket.
Flash recycle	1/4th of the recycle time by the regular batteries loaded in the flash unit. (e.g. approx. 0.7sec. for Nissin Di866, Canon EX580EX II, Nikon SB900) with switch position at "Hi" (lamp turns red) Note : No flash can be released, when batteries are not inserted in the flash unit.
Number of flashes	300 full flashes per charge
Dimensions (main body)	110(W) x 200(H) x 35(D) mm / 4.3(W) x 7.8(H) x 1.3(D) inches
Weight	980g with battery, w/o power supply cable.

• Design And Specifications Are Subject To Change Without Prior Notice

WARRANTY :

In case of the following reasons of a defect, the warranty may be void. For details, please look up the respective condition on your warranty card because it may vary from country to country.

1. The product has not been used in accordance with the instruction of the owner's manual.
2. The product is been repaired or modified by somebody else but an authorized repair service.
3. The product has been used with the flash unit not applicable (not compatible).
4. Fault or defect has been caused by fire, earthquake, flood, public pollution and such natural disaster.
5. The product has been stored or use in moisture, dust, extremely high temperature or such poor conditions.
6. Scratch, blemish, crush or other sign of wear by a violently use or treatment.
7. Guarantee card without dealer's name and address, without date of purchase and dealer's stamp, or no guarantee card at all.