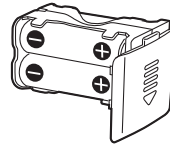
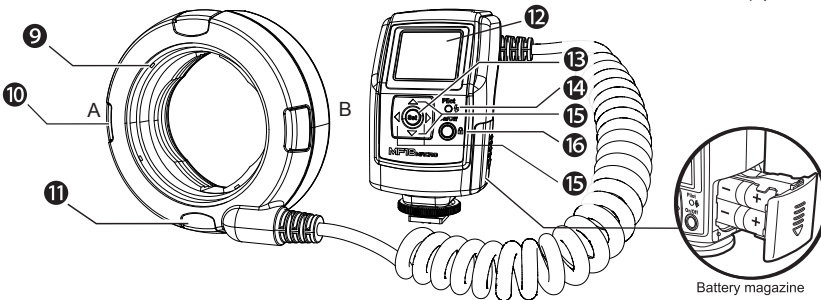


Adapter Rings x 6 (Included)
52 / 58 / 62 / 67 / 72 / 77 mm
*49 / 55 / 82 mm (optional for purchase)



Extra battery magazine
(optional for purchase)



- 1 Lock ring
- 2 Lock pinHotshoe contacts
- 3 Hotshoe contacts
- 4 LED lamp
- 5 Flash tube
- 6 USB port
- 7 X-terminal
- 8 Power Pack socket
- 9 Mounting tabs
- 10 Expansion button
- 11 Release button
- 12 Display screen
- 13 Set button
- 14 Pilot button
- 15 Select button
- 16 On/Off switch (Lock button)

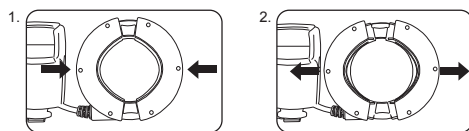
Mounting MF18 on the Camera

1. Turn off the power switch of both MF18 and the camera.
2. Loosen the lock ring of MF18 so the hotshoe mounts easily.
3. Slide the mounting foot of MF18 into the hotshoe of the camera from the back.
4. Turn the lock ring to opposite direction and tighten it.
5. Screw the adapter ring that is the same size as the lens onto the front thread of the lens.
6. Attach the flash head to the adapter. Press the release buttons on both sides of the flash head to insert the four mounting tabs on the inside of the flash head correctly into the groove on the adapter ring.
7. After the flash head is attached, pull it lightly to make sure the tabs are inserted into the groove correctly.

Expansion of the Flash Head

After the flash head is attached, it is suggested to expand the flash ring when there has dark corners appear in the film (It is also depending on the angle of view).

Remark: This Macro flash is preferable to apply on macro lens. For zoom lens, please adjust the suitable position to prevent the dark corners.

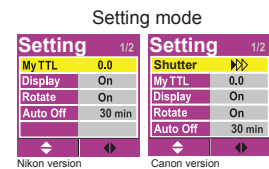
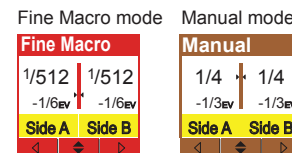
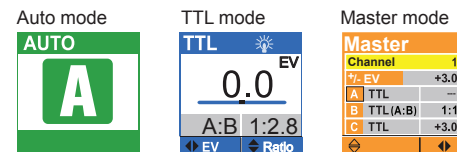


1. Press the expansion buttons on the sides of flash head.
2. The flash head is expanded. It is possible to expand one side if necessary.
3. To close the expansion, push it lightly back to the original position.

Turn on the flash unit

- Press the on/off switch. Main screen appears.
- The pilot lamp blinks red showing the unit is charging.
- In a few seconds, the pilot lamp turns green.
- The display screen automatically turns off in about 30 seconds after the setting job is terminated.
- For a test-flash, press the pilot lamp.
- To turn off the flash unit manually, press the on/off switch and hold it for 2 seconds.

Main Menu and Setting



Removing MF18 from the Camera

- Loosen the lock ring and slide the mounting foot of MF18 off the hotshoe of the camera. Make sure to turn the lock ring all the way to completely clear the lock pin off the hooking slot on the hotshoe. Press the release button on the flash head and remove. Screw the adapter ring off the front thread of the lens.